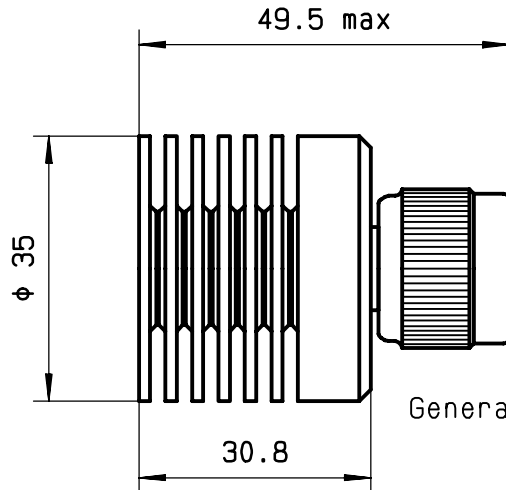


TITLE: 12 W 12.4GHZ N/m COAXIAL TERMINATION

LTR. B

DRAWING



General tolerances: +/- 0.5 mm

ELECTRICAL CHARACTERISTICS

FREQUENCY RANGE	:	DC - 12.4GHz
IMPEDANCE	:	50 Ohms
DC RESISTANCE	:	50 Ohms ± 5 %
AVERAGE POWER HANDLING	:	12 W at 75°C
PEAK POWER HANDLING	:	4 kW (1 μs, 1%.) at 25°C
V.S.W.R :	DC - 4 GHz	: <= 1.10
	4 - 8 GHz	: <= 1.20
	8 - 12.4 GHz	: <= 1.30

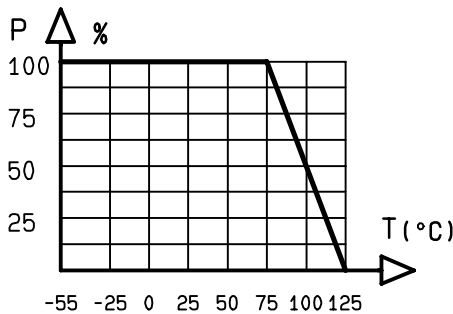
MECHANICAL CHARACTERISTICS

CONNECTOR	:	N male per MIL C 39012
MAXIMUM WEIGHT	:	88 grams

ENVIRONMENTAL CHARACTERISTICS

OPERATING TEMPERATURE RANGE (°C)	:	-55 , +125
STORAGE TEMPERATURE RANGE (°C)	:	-55 , +125

Power derating
Versus temperature



Tentative data subject to change without notice

PEN CAT	QUALITY Opt App.				
PAGE 1/1	DATE 25.11.83	NAME DP	B	New format	22.10.92 PG
			LTR	REVISIONS	DATE APP.